

BAXI



Luna Duo-tec

SPARE PARTS CATALOGUE

- June 2014 -

HOW TO READ THE SPARE PARTS CATALOGUE

In the spare part catalogue, after the exploded diagrams, there are the components lists of the boilers; this is the meaning of the different columns:

Pos. Identification number of the component in the exploded diagram of the boiler.

Description Short description of the component.

Code BAXI S.p.A. code of the component.

Tab. XX XX is the exploded diagram number of the boiler taken into consideration.

Until 31th December 2011

From serial number Date (year and week) identifying the beginning of production of a component (taken from the serial number of the boiler).

e.g. **B005: year 2000** (B identifies the decade 2000-2009; 0 identifies the year) – **5th week**.

If the box is empty, the component is in use from the beginning of production of the boiler.

To serial number Date (year and week) identifying the end of production of a component (taken from the serial number of the boiler).

e.g. **B012: year 2000** (B identifies the decade 2000-2009; 0 identifies the year) – **12th week**.

If the box is empty, the component is still in use.

Interchangeable It identifies the interchangeability between the new component and the old one.

YES: components are interchangeable.

NO: components are not interchangeable.

FROM 1st January 2102

From serial number Date (year and week) identifying the beginning of production of a component (taken from the serial number of the boiler).

e.g. **1201: year 2012** (1 identifies the decade 2010-2019; 2 identifies the year) – **1th week**.

If the box is empty, the component is in use from the beginning of production of the boiler.

To serial number Date (year and week) identifying the end of production of a component (taken from the serial number of the boiler).

e.g. **1225: year 2012** (1 identifies the decade 2010-2019; 2 identifies the year) – **25th week**.

If the box is empty, the component is still in use.

Interchangeable It identifies the interchangeability between the new component and the old one.

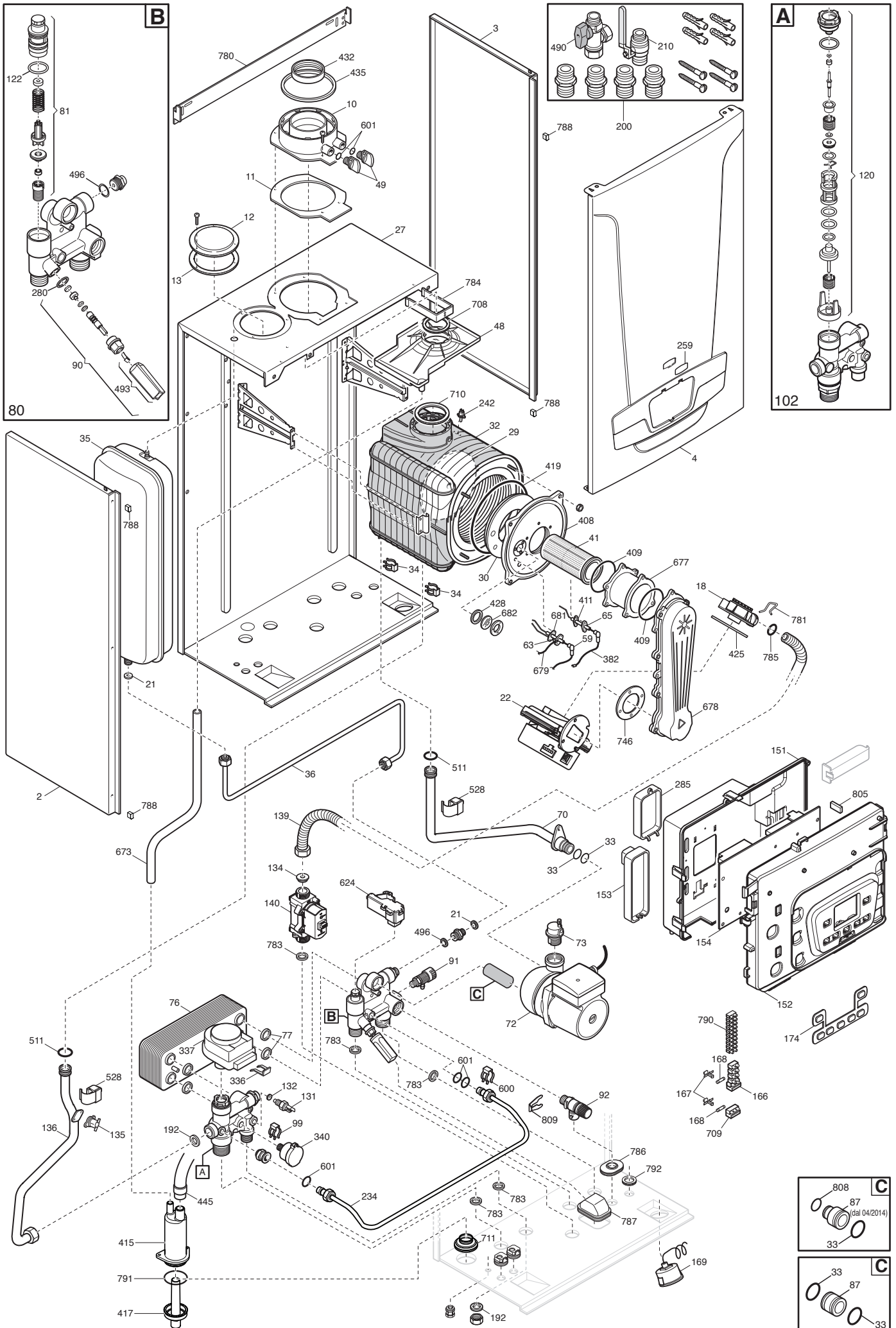
YES: components are interchangeable.

NO: components are not interchangeable.

TABELLA COLLEGAMENTO CODICE CALDAIA - ESPLOSO
TABLEAU CONNECTION CODEX CHAUDIERE - VUE ECLATEE
BOILERS CONNECTION BOARD - EXPLODED VIEW

BOILER CODE	BOILER DESCRIPTION	EXPLODED REF.
CODICE CALDAIA	DESCRIZIONE CALDAIA	RIF. ESPLOSO
CODIGO CALDERA	DESCRIPCION CALDERA	REF. EXPLOSIONADO
CODE CHAUDIÈRE	DESCRIPTION CHAUDIÈRE	RÉF. EXPLOSÉE
710285202/3	LUNA DUO-TEC 1.12 GA	Tab 429
710285302/3	LUNA DUO-TEC 1.24 GA	Tab 429
710568401/2	LUNA DUO-TEC 1.28 GA	Tab 429
710193104	LUNA DUO-TEC 24 GA	Tab 428
710193102/3	LUNA DUO-TEC 24 GA	Tab 428
710193204	LUNA DUO-TEC 28 GA	Tab 428
710193202/3	LUNA DUO-TEC 28 GA	Tab 428
710193304	LUNA DUO-TEC 33 GA	Tab 428
710193302/3	LUNA DUO-TEC 33 GA	Tab 428
710287104	LUNA DUO-TEC 40 GA	Tab 428
710287102/3	LUNA DUO-TEC 40 GA	Tab 428

Tab 428



The logo for BAXI, consisting of the word "BAXI" in a bold, blue, sans-serif font.

BAXI S.p.A.
Via Trozzetti, 20
36061 BASSANO DEL GRAPPA (VI)
ITALY
Tel. +390424517111
Telefax +390424517379
E-mail. service@baxi.it